



**SPARE PARTS CATALOGUE  
ERSATZTEILKATALOG  
CATALOGUE PIECES DETACHEES  
CATALOGO PARTI RICAMBIO  
CATALOGO DE PIEZAS DE RECAMBIO  
CATALOGO PECAS, DE REPOSICAO**

Catalogo parti di ricambio valido  
dalla matricola 4308885 ad oggi (17/11/2021)

Catalogue pieces detachees  
du numero de Série n. 4308885 jusqu'à aujourd'hui (17/11/2021)

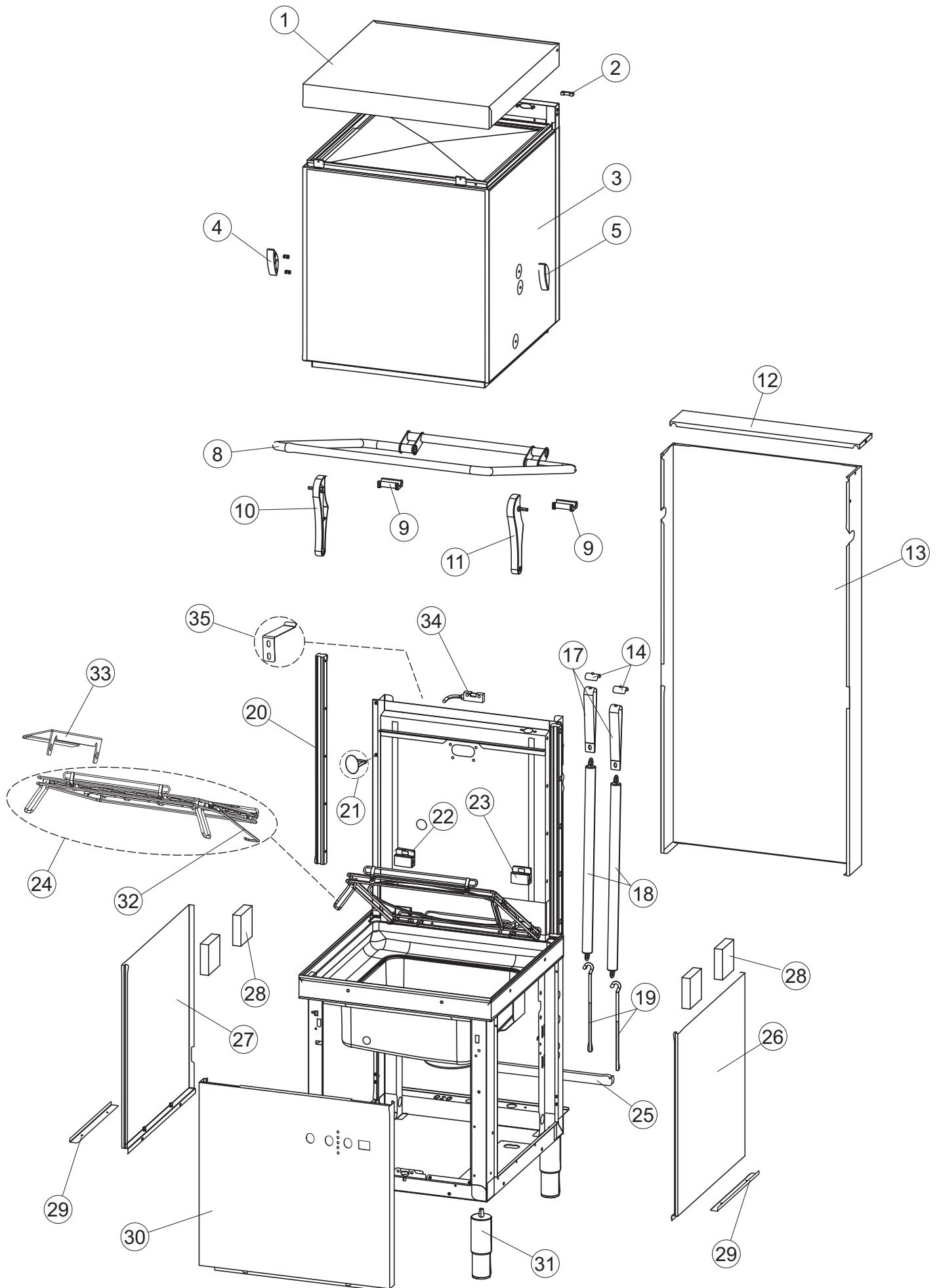
Ersatzteilkatalog  
gültig ab Serien-Nr. 4308885 bis heute (17/11/2021)

Spare parts catalogue  
valid from serial no. 4308885 up today (17/11/2021)

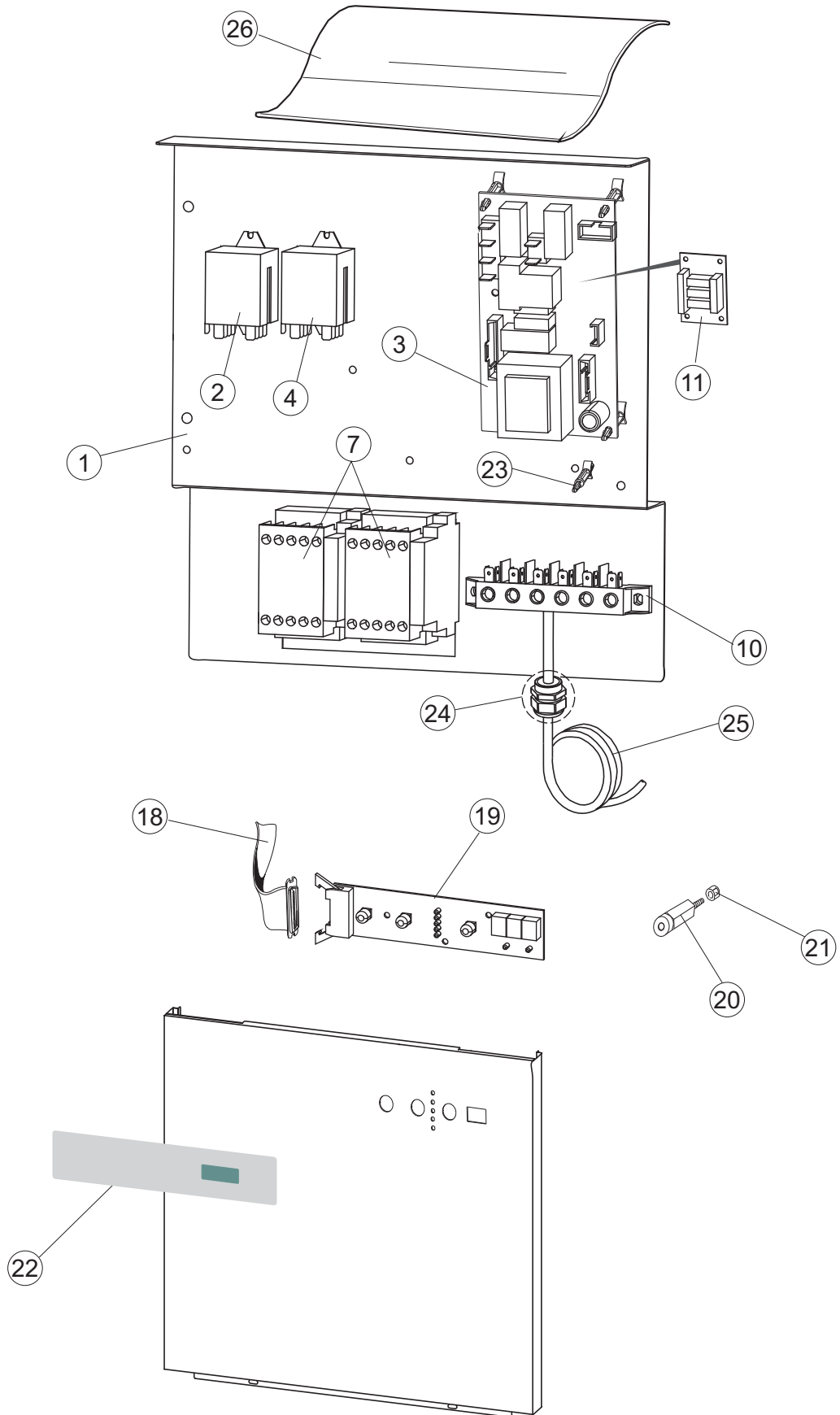
Catálogo de peças de reposição  
válido do número de série 4308885 até hoje (17/11/2021)

**CP4550D**

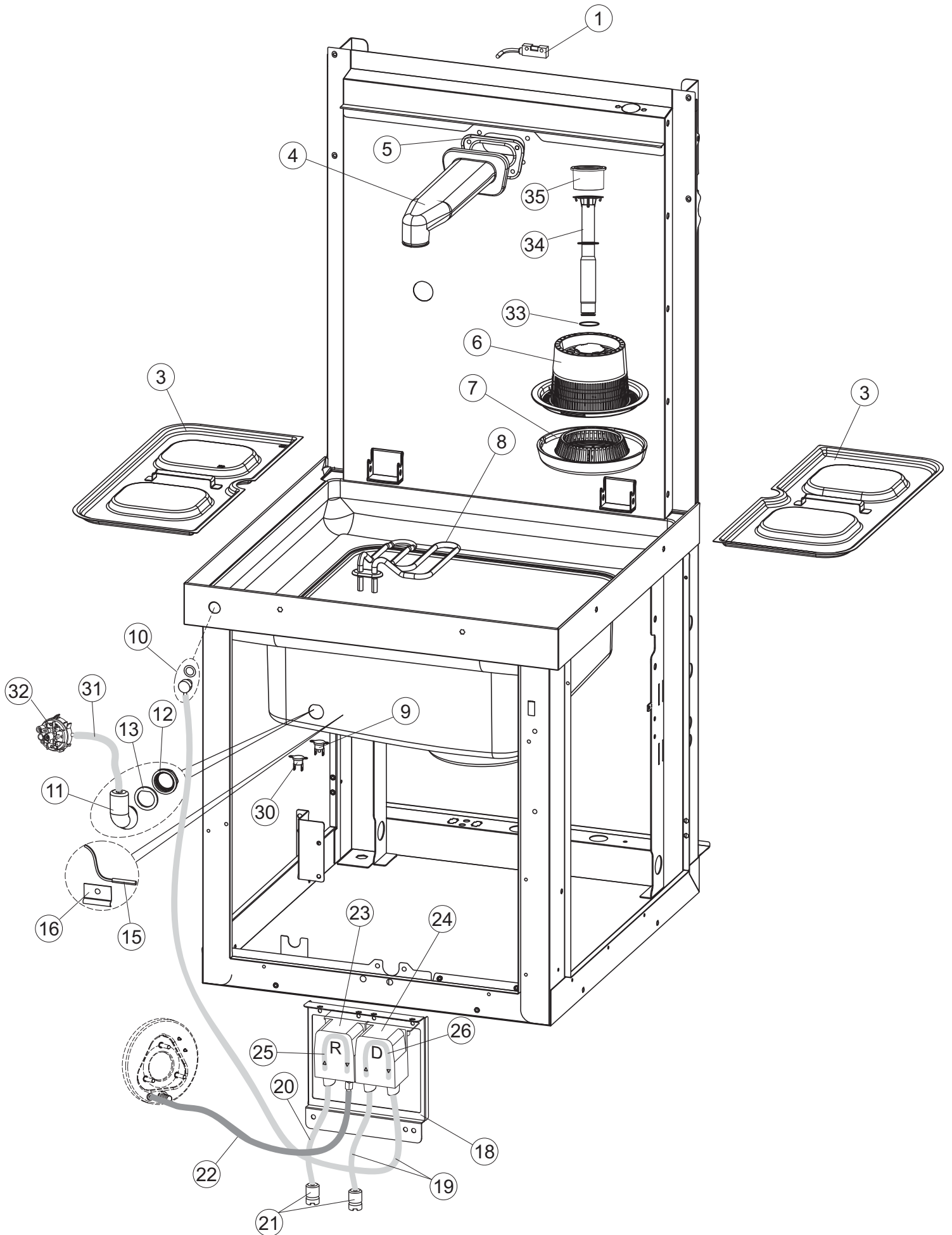
# 1



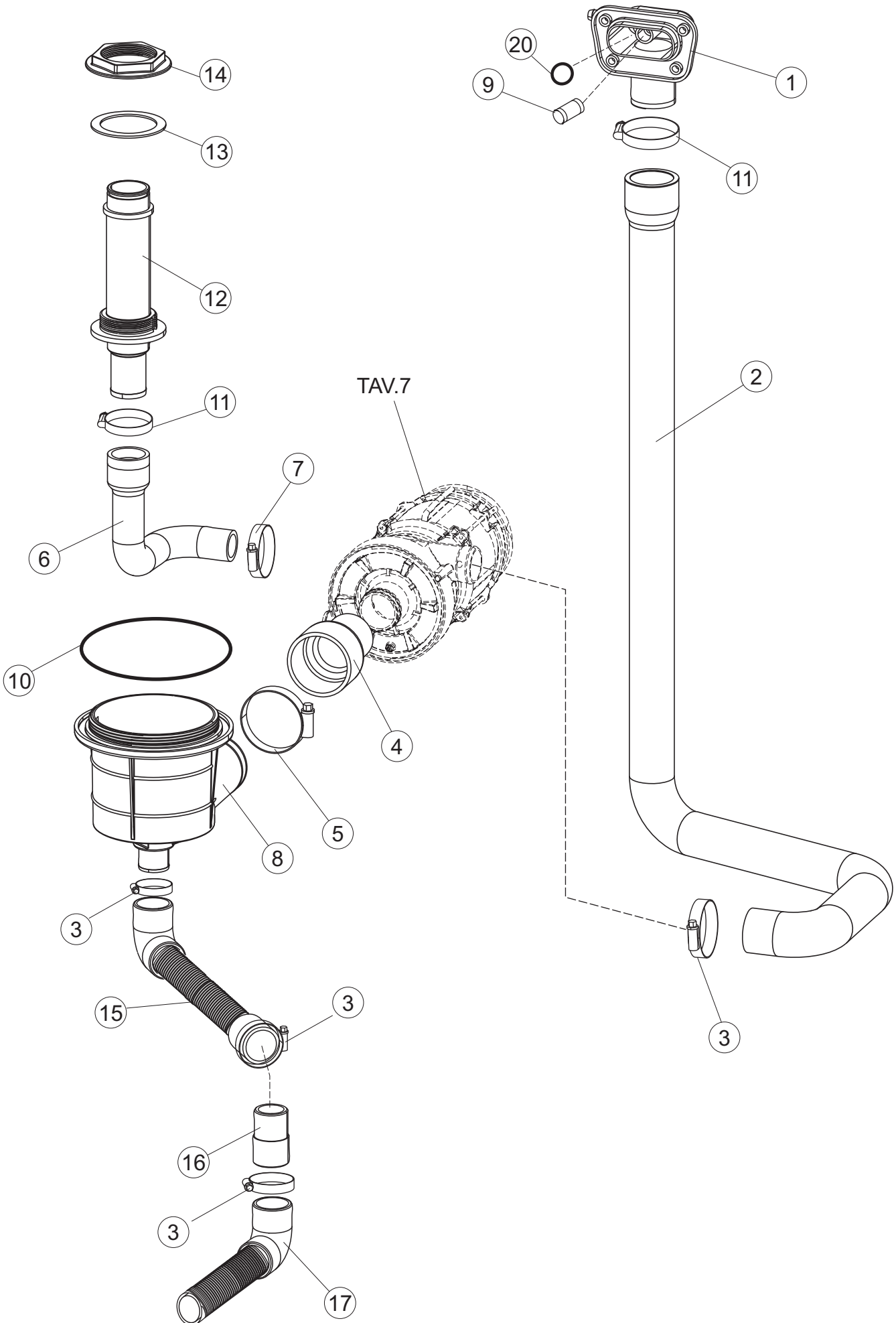
# 2

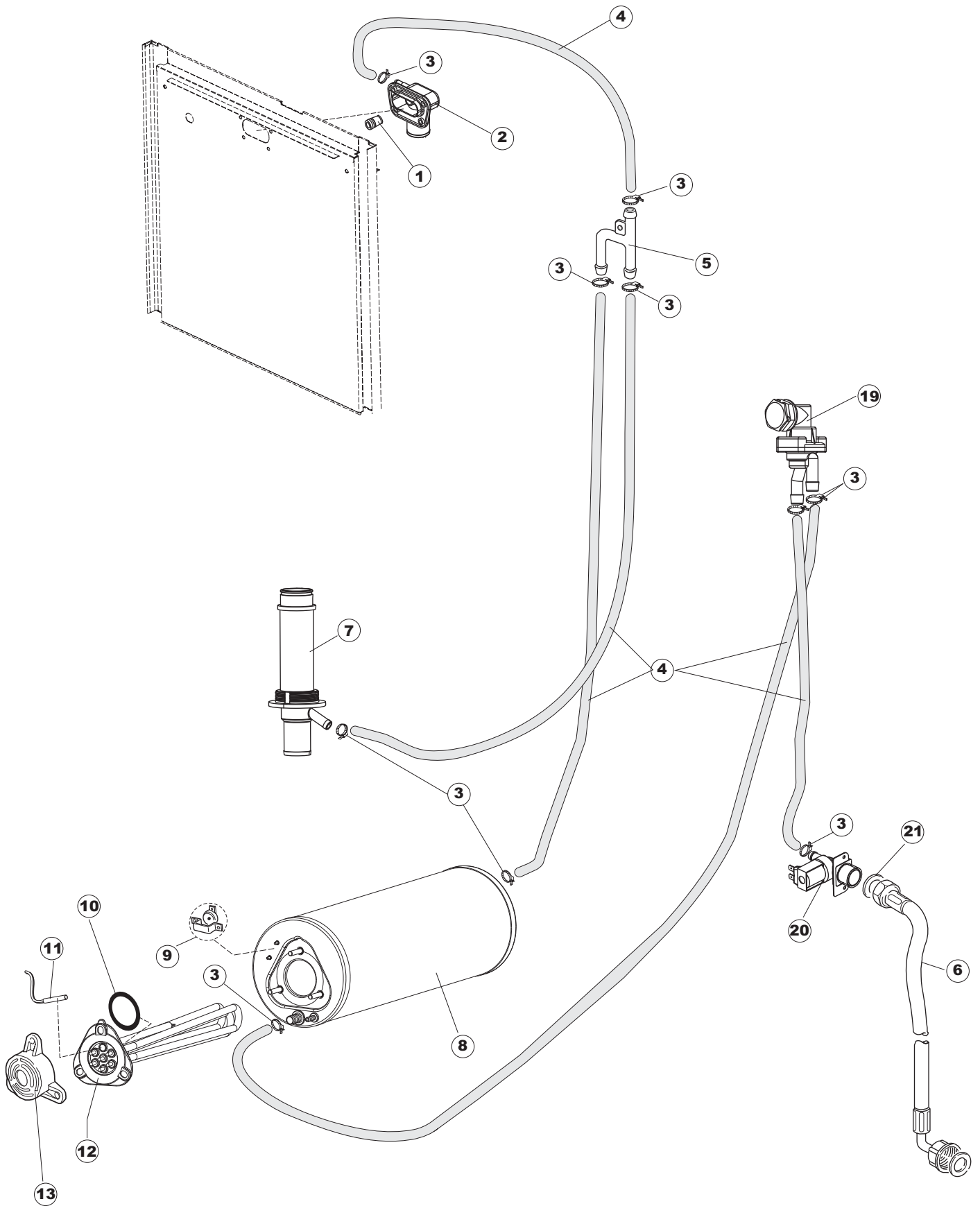


# 3

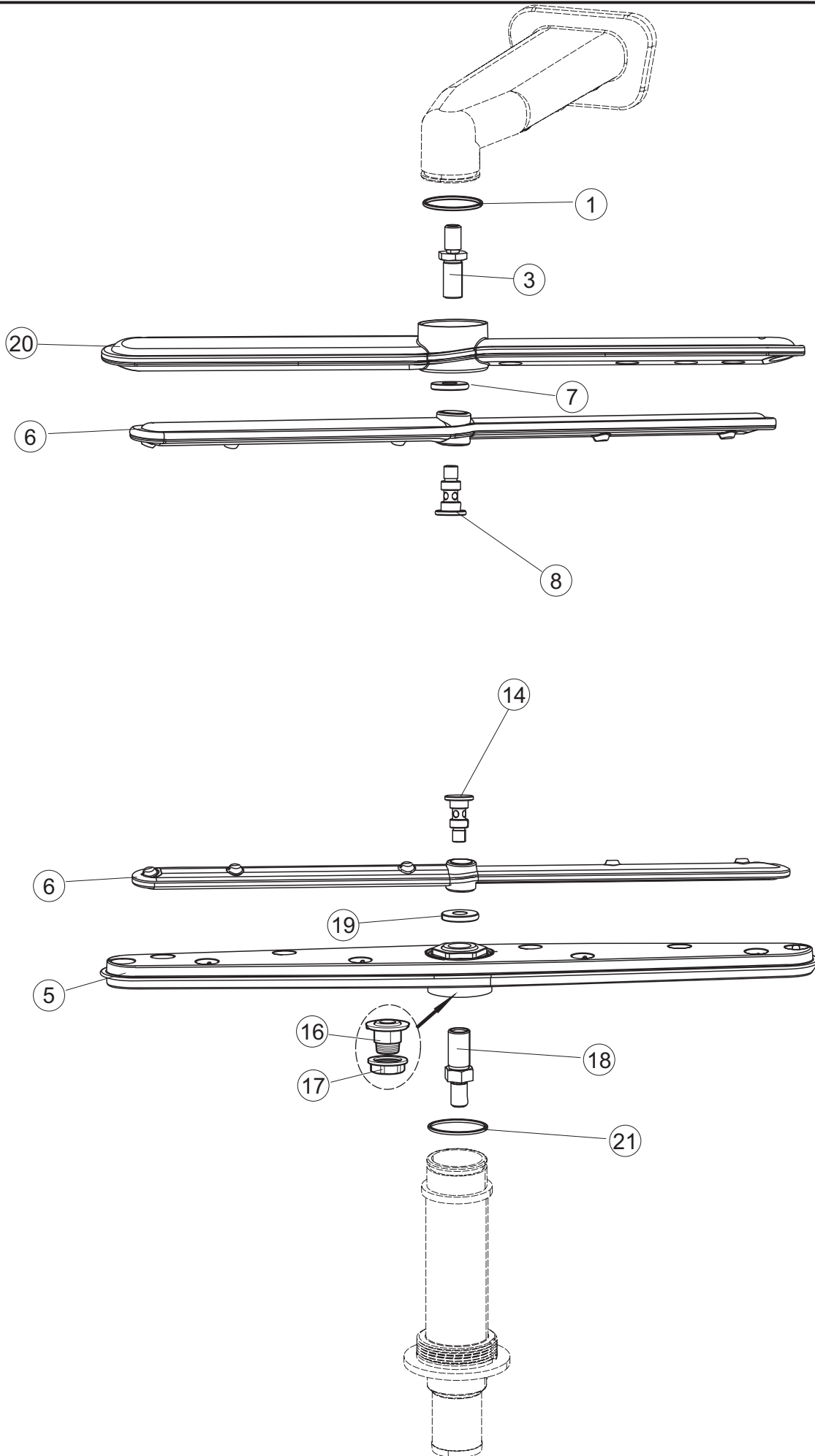


# 4





# 6







(\*) Recommended spare part.

Page	Spare part position	Spare part code no.	Old code number	Description	U.m.
1	1	73534		PRICE TO BE DEFINED	
1	2	927088		MAGNET FOR HOOD MICROSWITCH	NR
1	3	73139		COMPLETE SQUARED HOOD ASSEMBLY	NR
1	4	70202		LEFT HOOD HANDLE STOP	NR
1	5	70203		RIGHT HOOD HANDLE STOP	NR
1	8	73120		PRICE TO BE DEFINED (PART NR. REPLACED BY 73528)	
1	8	73528		HANDLE	NR
1	9	70192		PART NUMBER NO LONGER AVAILABLE	
1	10	70200		LEFT LEVER HOOD	NR
1	11	70201		RIGHT LEVER HOOD	NR
1	12	73864		BACK PANEL	NR
1	13	73063		BACK PANEL	NR
1	14	70277		SPRING HOOKING SLIDE	NR
1	17	70031		SPRING ADJUSTMENT HOOK	NR
1	18	926108		EXTENSION STEEL SPRING FOR DISHWASHER	NR
1	19	926009		SPRING ADJUSTMENT HOOK	NR
1	20	K70365		REPLACEMENT HOOD KIT GUIDE	NR
1	21	70998		SPACER	NR
1	22	70036		LEFT BRACKET	NR
1	23	70035		RIGHT BRACKET	NR
1	24	73255		RACK FRAME	NR
1	25	73019		HOLDER TENSION SPRING	NR
1	26	70072		PRICE TO BE DEFINED (PART NR. REPLACED BY 70872)	
1	26	70872		RIGHT SIDE PANEL	NR
1	27	70871		LEFT SIDE PANEL	NR
1	28	41042		ADHESIVE PLUG	NR
1	29	80078		SUPPORT BRACKET	NR
1	30	73210		PRICE TO BE DEFINED	
1	31	73100		FOOT	NR
1	32	70265		PART NUMBER NO LONGER AVAILABLE	
1	33	70250		SIDE BRINGS BASKETS	NR
1	34	80871		MAGNETIC DOOR SWITCH	NR

(\*) Recommended spare part.

Page	Spare part position	Spare part code no.	Old code number	Description	U.m.
1	35	70300		STIRRUP	NR
2	1	70459		PANEL FOR ELECTRICAL COMPONENTS	NR
2	2	929115		RELAY 16A 230V	NR
2	3	215034-2		MAIN BOARD	NR
2	4	DER111		PRICE TO BE DEFINED (PART NR. REPLACED BY 229029)	
2	4	229029		RELAY	NR
2	7	73350		CONTACTOR	NR
2	10	220011		TERMINAL BLOCK	NR
2	11	215036		EXPANSION CARD FOR ADD-ONS	NR
2	18	80934		FLAT CABLE	NR
2	19	80945		PUSH BUTTONS ASSEMBLY	NR
2	20	419036		INTERFACE BOARD DISTANCE KEEPERS	NR
2	21	417119		NUT	NR
2	22	70709		CONTROL ADHESIVE INTERFACE	NR
2	23	CWP2		FOOT	NR
2	24	DEP521		CABLE GLAND	NR
2	25	69803		POWER CABLE	NR
2	26	80731		PVC CURTAIN FOR ELECTRIC PROTECTION	NR
3	1	80871		MAGNETIC DOOR SWITCH	NR
3	3	121146		STAINER	NR
3	4	69017		MAINFOLD	NR
3	5	80178		GASKET	NR
3	6	121120		STAINER	NR
3	7	429072		RING NUT	NR
3	8	73069		PART NUMBER NO LONGER AVAILABLE	
3	9	926189		CONTACT SAFETY-THERMOSTAT	NR
3	10	999348		DETERGENT TANK FITTING	NR
3	11	70600		AIR TRAP FOR PRESSURE SWITCH	NR
3	12	417120		NUT	NR
3	13	437098		GASKET	NR
3	15	231016		TEMPERATURE PROBE	NR
3	16	H.775489-001		SUPPORT TEMPERATURE PROBE	NR

(\*) Recommended spare part.

Page	Spare part position	Spare part code no.	Old code number	Description	U.m.
3	18	80675		SUPPORT BRACKET	NR
3	19	143194		PIPE	MT
3	20	H.775601		PIPE	MT
3	21	121993		FILTER AID DISPENSER	NR
3	22	143005		LINEN RUBBER PIPE 5X12 - BLACK	MT
3	23	209036		PRICE TO BE DEFINED (PART NR. REPLACED BY 209042C)	
3	23	209042C		DOSING PUMP	NR
3	24	209039		PRICE TO BE DEFINED (PART NR. REPLACED BY 209043C)	
3	24	209043C		DETERGENT DOSING PUMP	NR
3	25	143266		PIPE	NR
3	26	143267		PIPE	NR
3	30	236052		THERMOSTAT 90+/-3C	NR
3	31	143131		PIPE	MT
3	32	69850		PRESSURE SWITCH TYPE 45/22	NR
3	33	70135		O-RING	NR
3	34	73035		OVERFLOW PIPE	NR
3	35	80352		COVER	NR
4	1	80174		PIPE FITTING	NR
4	2	69020		PIPE	NR
4	3	CFS1		HOSE CLAMP	NR
4	4	73008		PIPE	NR
4	5	CFS3		CLAMP, HOSE-TYPE TORRO W2B 60-80/12	NR
4	6	73024		DELIVERY WASH HOSE	NR
4	7	CFS18		HOSE CLAMP	NR
4	8	70040		DRAIN COCKPIT	NR
4	9	441009		GASKET	NR
4	10	456076		O-RING	NR
4	11	CFS1A		HOSE CLAMP	NR
4	12	73061		SUPPORT ARMS WASH / RINSE	NR
4	13	437102		GASKET	NR
4	14	429073		RING NUT	NR
4	15	70116		DRAIN HOSE	NR

(\*) Recommended spare part.

Page	Spare part position	Spare part code no.	Old code number	Description	U.m.
4	16	70167		DRAIN CONNECTION	NR
4	17	143252		DRAIN HOSE	NR
4	20	CGR3037		O-RING	NR
5	1	441009		GASKET	NR
5	2	80174		PIPE FITTING	NR
5	3	927322		HOSE CLAMP	NR
5	4	143010		RUBBER PIPE 12X19,5	MT
5	5	143268		JUNCTION "Y"	NR
5	6	143270		INLET WRAS PIPE	NR
5	7	73061		SUPPORT ARMS WASH / RINSE	NR
5	8	104060		BOILER	NR
5	9	926189		CONTACT SAFETY-THERMOSTAT	NR
5	10	456002		O-RING	NR
5	11	231016		TEMPERATURE PROBE	NR
5	12	230020C		KIT HEATING ELEMENTS REB230020 (8KW)	NR
5	13	69870		BOILER HEATING ELEMENT PROTECTION	NR
5	19	144010NT		NON-RETURN VALVE	NR
5	20	240016		SOLENOID VALVE	NR
5	21	437041		GASKET	NR
6	1	80184		SEALING RING	NR
6	3	70283		TOP PIVOT	NR
6	5	80348		COMPLETE WASH ARM	NR
6	6	129079		COMPLETE RINSE ARM	NR
6	7	K80697		RING NUT M10 WITH TEFLON WASHER	NR
6	8	80700		PIVOT	NR
6	14	80644		PIVOT	NR
6	16	79044		WASHING ARM BUSH C600	NR
6	17	308031		RING NUT	NR
6	18	69282		PIVOT	NR
6	19	K80679		RING NUT M12 WITH TEFLON WASHER	NR
6	20	129074		COMPLETE WASH ARM	NR
6	21	80184		SEALING RING	NR

(\*) Recommended spare part.

Page	Spare part position	Spare part code no.	Old code number	Description	U.m.
7	1	73048		WASHPUMP	NR
7	2	73070		SUPPORT BRACKET	NR
7	3	141008		WASHPUMP SHAFT SEAL	NR
7	4	141009		WASHPUMP SHAFT SEAL	NR
7	5	73076		ELECTROPUMP IMPELLER 73048 (3235)	NR
7	6	456078		O-RING	NR
7	7	429074		RING NUT	NR
7	8	73052		ELECTROPUMP HOUSING	NR
7	9	73051		PLUG	NR
7	10	73055		CAPACITOR	NR